

da Vinci Designs Stock Frame Sizes & Dimensions

Latless Frames

Dims. for both 26" and 700c		Small	Medium	Large	Lrg/Sm
Front Seat Tube C/Top	A1	20.5 (52.1cm)	22 (55.9cm)	23.5 (59.7cm)	22 (55.9cm)
Rear Seat Tube C/Top	B1	16.75 (42.5cm)	18.75 (47.6cm)	20.75 (52.7cm)	16.75 (42.5cm)
Front Seat Tube C/C	C1	17.2 (45.3cm)	19.3 (49.1cm)	20.8 (52.9cm)	19.3 (49.1cm)
Rear Seat Tube C/C	D1	14.2 (36.1cm)	16.2 (41.1cm)	18.2 (46.2cm)	14.2 (36.1cm)
Stand-Over, Front w/1.1" Tires *		29.6 (75.3cm)	31 (78.7cm)	32.3 (82.1cm)	31.6 (80.4cm)
Stand-Over, Rear w/1.1" Tires *		26.1 (66.2cm)	27.9 (70.9cm)	30.4 (77.2cm)	26.4 (67.2cm)
* Add .5" (1.3cm) for 1.5" tires					
Top tube, front	E1	21.5 (54.6cm)	22 (55.9cm)	22.5 (57.2cm)	22.5 (57.2cm)
Top tube, rear	F1	28.4 (72.1cm)	28.4 (72.1cm)	28.4 (72.1cm)	28.4 (72.1cm)
Head / Seat angles		73/73	73/73	73/73	73/73
BB height w/1.1" tires		10.7 (27.2cm)	10.7 (27.2cm)	10.7 (27.2cm)	10.7 (27.2cm)
* Add .5" (1.3cm) for 1.5" tires					
Chainstay length		17 (43.2cm)	17 (43.2cm)	17 (43.2cm)	17 (43.2cm)
Fork rake		1.96 (50mm)	1.96 (50mm)	1.96 (50mm)	1.96 (50mm)
Reach	R	14.9 (37.8cm)	15 (38.1cm)	15.2 (38.6cm)	15.2 (38.6cm)
Stack	S	21.7 (55cm)	22.9 (58cm)	23.8 (60.5cm)	23.8 (60.5cm)

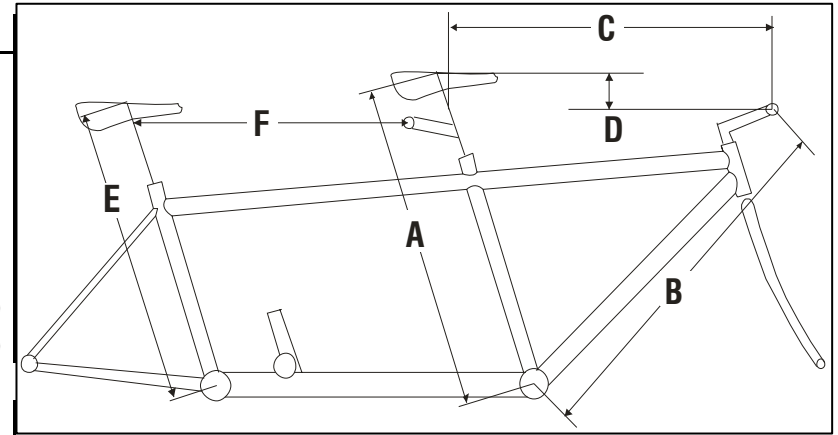
Symbiosis & XC

Front Seat Tube C/Top	A1	16.2 (41.1cm)	18.2 (46.2cm)	20.2 (51.3cm)
Rear Seat Tube C/Top	B1	15 (38.1cm)	17 (43.2cm)	19 (48.2cm)
Top tube, front	E1	22.25 (56.5cm)	23 (58.4cm)	23.75 (60.3cm)

Minimum and Maximum Top of Saddle to Bottom Bracket Centerline Dimensions (DIM. A & E)

Rear Min. Dimensions with Thudbust ST seatpost, subtract 2.75" (7cm) for ridged seatpost. Add 1.75" for LT

		Small	Medium	Large	Lrg/Sm
Min. Front	(A)	26 (66cm)	27.5 (69.9cm)	29 (73.7cm)	27.5 (69.9cm)
Max. Front	(A)	32.5 (82.6cm)	34 (86.4cm)	35.5 (90.2cm)	34 (86.4cm)
Min. Rear	(E)	23 (58.4cm)	25 (63.5cm)	27 (68.6cm)	23 (58.4cm)
Max. Rear	(E)	28.75 (73cm)	30.75 (78.1cm)	32.75 (83.2cm)	28.75 (73cm)
Ridged	(E)	20.25 (51.4cm)	22.25 (56.5cm)	24.25 (61.6cm)	20.25 (51.4cm)
Long Travel	(E)	24.75 (62.9cm)	26.75 (67.9cm)	28.75 (73cm)	24.75 (62.9cm)



Centerline Seatpost to Centerline Handlebar Clamp Dimensions (DIM. C)

Small Frame

21.5

	<u>80mm Stem</u>	<u>90mm Stem</u>	<u>100mm Stem</u>	<u>110mm Stem</u>	<u>120mm Stem</u>	<u>130mm Stem</u>
<u>7 deg. Stem</u>	24.8 62.9 cm	25.2 64.0 cm	25.6 65.0 cm	26.0 66.0 cm	26.4 67.1 cm	26.8 68.1 cm
<u>17 deg. Stem</u>	24.5 62.1 cm	25.0 63.6 cm	25.4 64.6 cm	25.8 65.6 cm	26.2 66.6 cm	26.6 67.6 cm

Medium Frame

22

	<u>80mm Stem</u>	<u>90mm Stem</u>	<u>100mm Stem</u>	<u>110mm Stem</u>	<u>120mm Stem</u>	<u>130mm Stem</u>
<u>7 deg. Stem</u>	25.3 64.2 cm	25.7 65.2 cm	26.1 66.3 cm	26.5 67.3 cm	26.9 68.3 cm	27.3 69.4 cm
<u>17 deg. Stem</u>	25.0 63.4 cm	25.5 64.9 cm	25.9 65.9 cm	26.3 66.9 cm	26.7 67.9 cm	27.1 68.9 cm

Large or Large/Small Frame

22.5

	<u>80mm Stem</u>	<u>90mm Stem</u>	<u>100mm Stem</u>	<u>110mm Stem</u>	<u>120mm Stem</u>	<u>130mm Stem</u>
<u>7 deg. Stem</u>	25.8 65.5 cm	26.2 66.5 cm	26.6 67.5 cm	27.0 68.6 cm	27.4 69.6 cm	27.8 70.6 cm
<u>17 deg. Stem</u>	25.5 64.7 cm	26.0 66.1 cm	26.4 67.1 cm	26.8 68.2 cm	27.2 69.2 cm	27.6 70.1 cm

Centerline Seatpost to Centerline Handlebar Clamp Dimensions (DIM. F)

With Short (cut) Stoker Stem 21.5 (54.7cm) to 23.25 (59cm)

With Standard Long Stoker Stem 20 (50.9cm) to 21.75 (55.2cm)